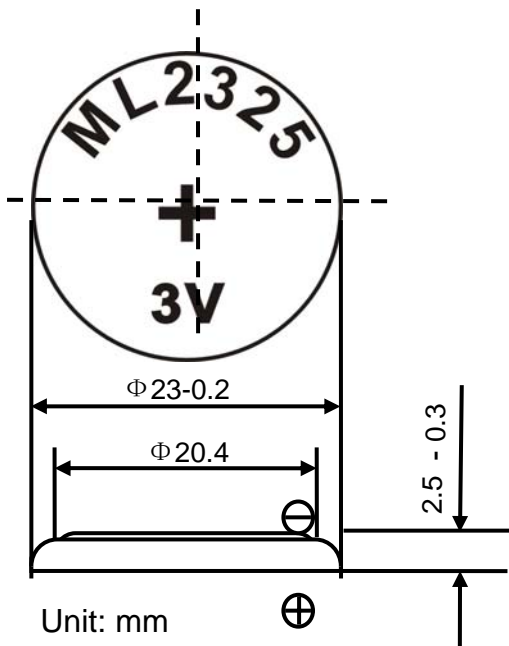
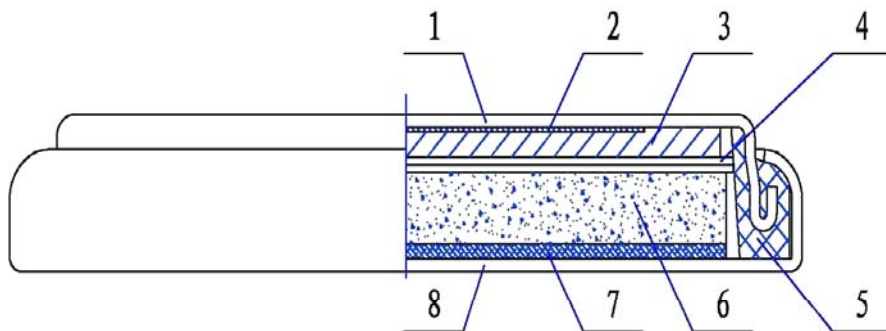


## LI/MnO<sub>2</sub> BUTTON BATTERY

### RECHARGEABLE ML2325 DATA SHEET



Nominal Capacity(mAh) <sup>*1</sup>		60
Nominal Voltage(V)		3.0
Standard Charge/Discharge Current(mA)		0.4
Charge/Discharge Cycle Characteristics	Discharging Depth of 10%	300
	Discharging Depth of 20%	100
Temperature Range(°C)		-20~60
Weight(g) <sup>*2</sup>		3.1
Dimensions(mm) <sup>*2</sup>	Diameter(D)	23
	Height(h)	2.5-0.3
	d (Negative end)	20.4



- |                 |                            |                              |               |
|-----------------|----------------------------|------------------------------|---------------|
| 1、负极壳           | 2、负极集流网                    | 3、负极锂片                       | 4、隔膜          |
| 5、密封胶圈          | 6、正极片                      | 7、正极集流网                      | 8、正极壳         |
| 1、Cathode Shell | 2、Cathode collector net    | 3、Cathode (slice of lithium) | 4、Septum      |
| 5、Gasket        | 6、Anode(MnO <sub>2</sub> ) | 7、Anode collector net        | 8、Anode shell |



Add.: Block B1, Dashi Town, Panyu District, Guangzhou C, PRC Tel: 0086-20-61906348 Fax: 0086-20-61906358  
<http://www.gmbattery.com> email: info@gmbattery.com